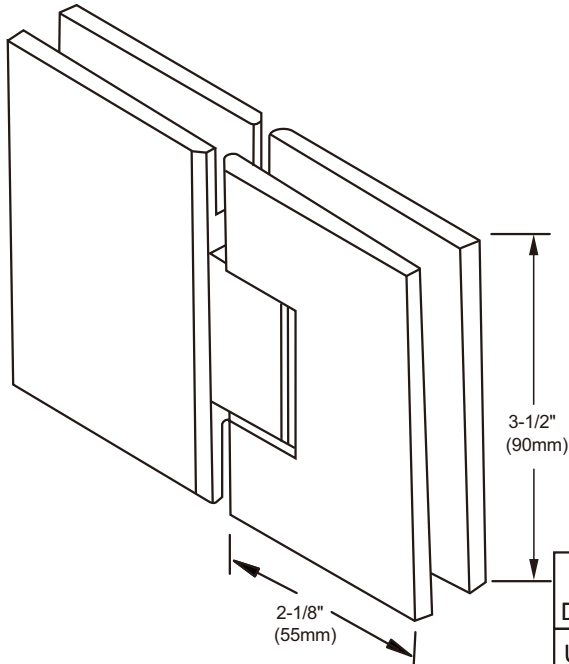


# 180° GLASS-to-GLASS HINGE



## SPECIFICATIONS

For 8mm (5/16") to 12mm (1/2") glass  
 -use 2 hinges, having a maximum weight of 80 lbs (36kg), and a width of 28"(711mm).  
 -use 3 hinges, having a maximum weight of 120 lbs (54kg), and a width of 32" (813mm).

## CAUTION

For public safety, we recommend only using tempered or safety glass.  
 (But verify with local building codes.)

DO NOT USE POWER TOOLS FOR MOUNTING THESE HINGES

## CLEANING

See reverse side for instructions

*Maximum Door Capacities	5/16"(8mm) and 3/8"(10mm) Glass weight width	1/2" (12mm) Glass weight width
Using 2 Hinges	80lbs.(36kg) 28"(711mm)	80lbs.(36kg) 28"(711mm)
Using 3 Hinges	120lbs.(54kg) 32"(813mm)	120lbs.(54kg) 32"(813mm)

\*NOTE: Do not exceed either maximum weight or width when choosing proper quantity of hinges

# 180° GLASS-to-GLASS HINGE

